

# Wall Light

## INSTRUCTION MANUAL

### Safety Warnings

- This product is only suitable for connection to 220-240V~50Hz supply, indoor use only and is **not** suitable for a Bathroom location.
- Before installing your light fitting always switch off the mains supply and remove the appropriate fuse or switch off the appropriate circuit breaker before commencing installation.
- This is a Class 1 products, and the Fitting **must** be Earthed. The terminal blocks are supplied according to requirements of the fitting.
- This product uses non-replaceable LEDs. It is recommended that you do not stare directly into the light beam.
- Under no circumstances must the driver be removed and the light connected directly to the mains – this will cause a safety hazard.
- If you are in any doubt about your competence please consult a qualified electrician.
- If any modification is made it will invalidate the warranty and may render the product unsafe.

### Care Information

Allow 10 minutes to cool before replacing, adjusting or cleaning.

Clean with a dry cloth only. Do not use liquid or abrasive cleaners on this product.

### Assembly/ User Instructions

#### Before you start

Please read these instructions carefully before fitting and retain for reference.

Check the packaging and make sure that you have all the required parts.

Follow each assembly step in order to prevent incorrect assembly.

Ensure that the product is fully assembled as illustrated before use.

#### The Light pack contains:

Light fitting.

Terminal connection block(s).

Fixing pack.

#### The following tools may be required:

Selection of cross and flat head screwdrivers.

Electric drill and assorted drill bits.

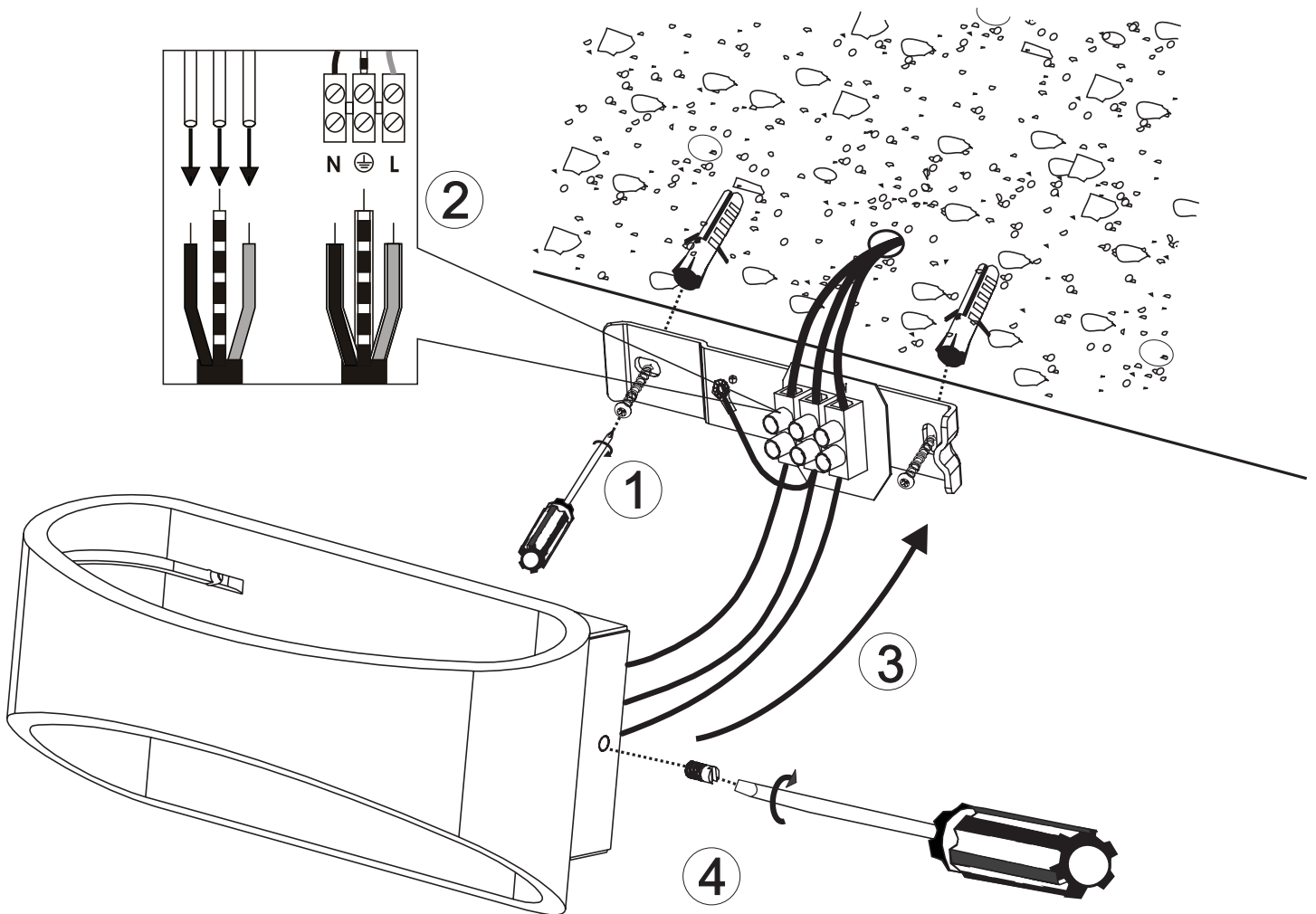
Wire strippers.

Electrical insulation tape.

**These assembly diagrams are intended as a guide – if in doubt consult a qualified electrician.**

## Assembly/ User Instructions Continued

1. Decide on the position of the light fitting / or remove existing light fitting. Take a note of the position of the electrical connections. Ensure there is a solid mounting surface, preferably a wooden joist or joist bridge to support the weight of the light fitting.
2. Remove the two side screws (4) and retain the screws for re-use. Use the fixing bracket as a template to mark the screw holes. Mark the screw holes and secure to the ceiling with appropriate screw fixings (1), making sure the bracket is horizontal.
3. Fit the 3 pieces of heat sleeve over the incoming switched Live, Neutral and Earth cables. Support your fitting and connect the house wiring to the terminal block (2). When you are sure of the connections wrap the Terminal Block and overlap the wiring both sides with 2 layers of insulation tape. **NOTE: This is a Class I fitting and must be earthed.**
4. Secure the backplate (3) over the bracket by using the screws (4) removed in Point 2.
5. Turn on the power and test.



- EN Scan QR code for multi-language
- FR Scannez le code QR pour plusieurs langues
- ES Escanee el código QR para varios idiomas
- PL Zeskanuj kod QR dla wielu języków
- DE Scannen Sie den QR-Code nach mehreren Sprachen
- IT Scansiona il codice QR per multilingua